

**THE WORKERS**  
Contractor must verify all dimensions on site before commencing any work or deep excavation.

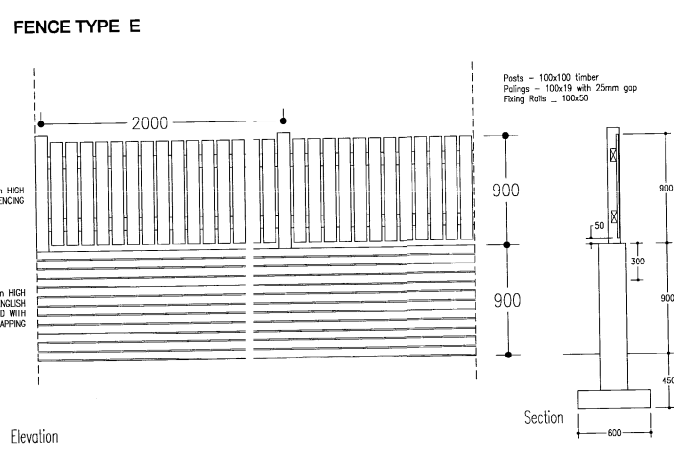
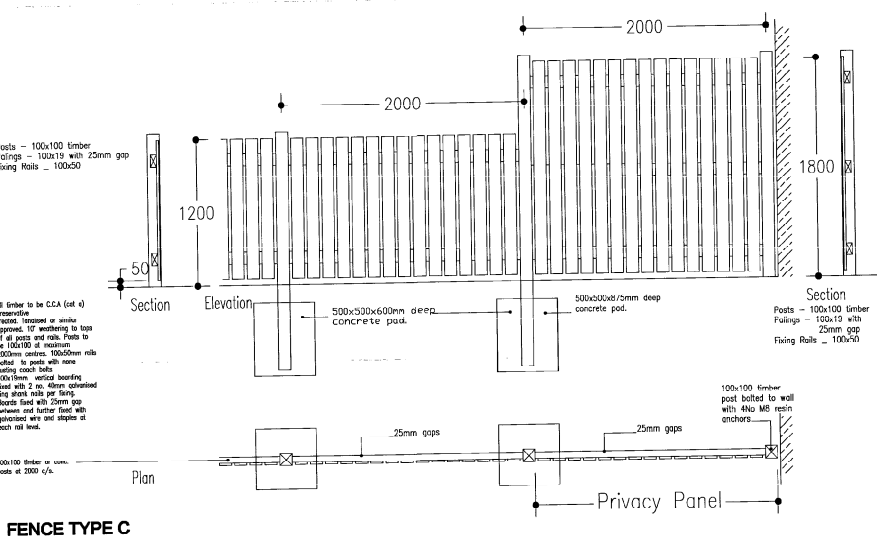
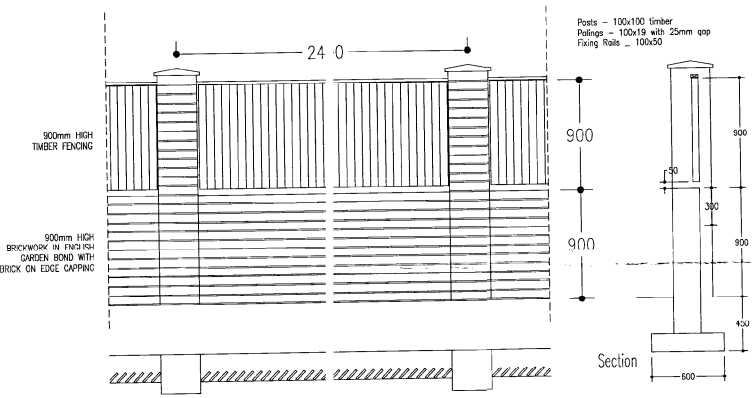
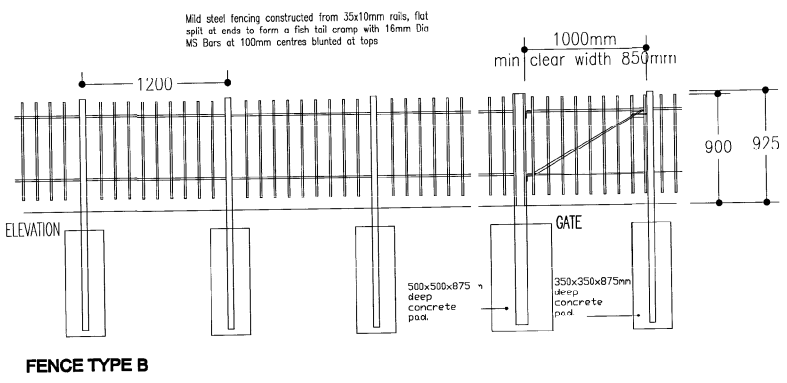
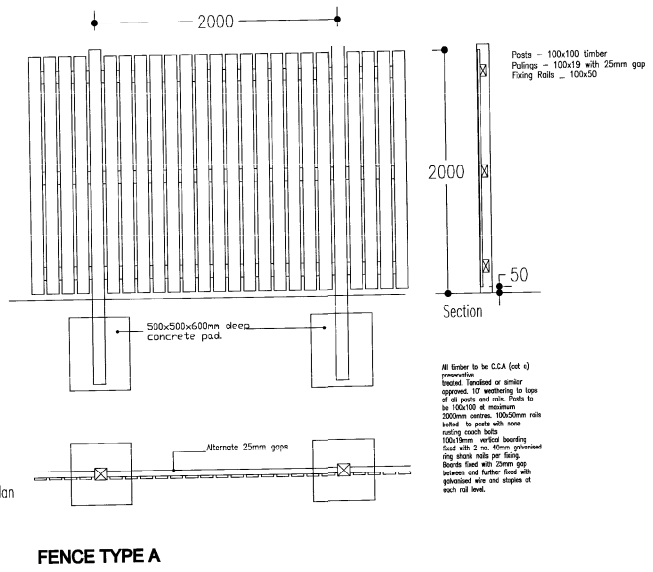
**REPORT ANY DISCREPANCIES BEFORE COMMENCING WORK TO THE ARCHITECT. IF THE ARCHITECT AGREES, THE CONTRACTOR SHALL BE RESPONSIBLE FOR ANY WORK THE ARCHITECT HAS TO BE INFORMED BEFORE THE WORK IS STARTED.**

**WORK UNDER THE CONSTRUCTION (Design & Management) Regulations 1994 is not to start until a Health and Safety Plan has been produced.**

This Drawing is Copyright and must not be reproduced without consent of Browne Smith Baker Architects.

Drawing Name/Type/No:  
 F - Feasibility stage drawing  
 P - Planning stage drawing  
 T - Tender stage drawing  
 C - Construction stage  
 A/E - As built drawing  
 M/T - Material drawing  
 M/C - Masonry drawing  
 M - Marking drawing  
 L - Landscape Drawing  
 S - Survey drawing  
 C/E - Construction survey drawing

Rev.	Description	Date	Drawn	Checked	Date
A	FENCE TYPES APPROVED	04.10.07	DA	DA	10.07.07
B	SPEC OF METAL FENCE ADDED	04.10.07	AC	DA	16.03.08
C	FENCE TYPE F ADDED	04.10.07	DA	DA	10.05.08
D	FENCE TYPE E APPROVED, FENCE TYPE F ADDED	04.10.07	DA	DA	10.05.08
E	FENCE TYPE E APPROVED	04.10.08	DA	DA	10.05.08



**Browne Smith Baker**  
 ARCHITECTS  
 101 Phoenix Mill  
 Mill Lane, Norton  
 Tel: 01206 462 346  
 Fax: 01206 291 410  
 e-mail: info@brownesmithbaker.com

Line: 0113 245 1578 - Newcastle 0191 212 1130 - Fax: 01462 250 276

**PROJECT**  
 Albany House  
 Berkshire road, Norton  
 Tees Valley Housing Group

**DRAWING TITLE**  
 Fence Types

**DEPOSITED PLAN**  
 10 SEP 2008

**SUPERCEDES PLAN DATED**  
 15/3/08  
 HEAD OF PLANNING & ENV.

Scale: 1:20  
 Drawn by: AM  
 Date Drawn: 16.03.07  
 Checked by: DA  
 Date Checked:

Drawn No: 04103/C210  
 E

STOCKTON BOROUGH COUNCIL  
 10 SEP 2008  
 RECEIVED

STOCKTON BOROUGH COUNCIL  
 10 SEP 2008  
 DATE